

LA0

Hood Protector

MZ350765 (Clear) / MZ350767 (Tinted) / MZ350769 (Matt Black)

INSTALLATION AND INSTRUCTIONS

Thank you for purchasing the Mitsubishi Motors genuine accessory.
To always make the best use of the product, read this publication thoroughly and use the product properly with good knowledge of it. Keep this manual at hand for future reference.

Attention

- This manual gives precautionary instructions with the following symbols:



Caution

This symbol indicates a particularly important safety instruction. Read and follow it carefully for safety. Failure to heed the caution may result in human injuries or accidents.



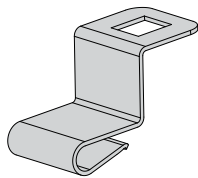
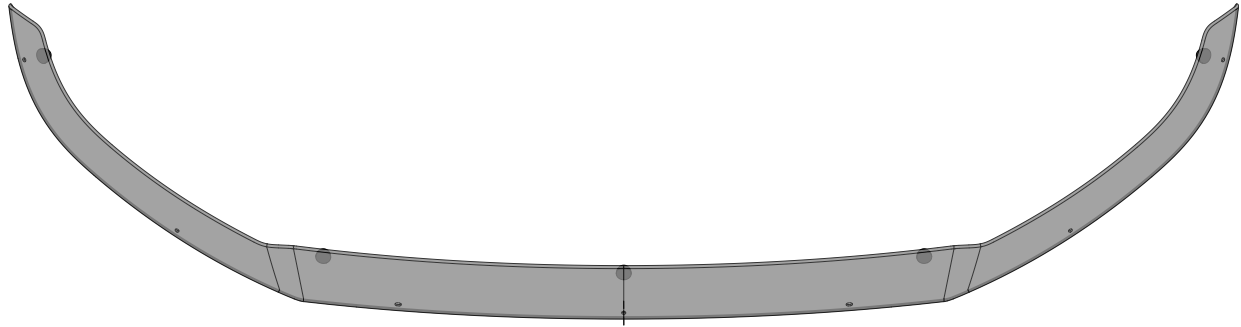
Note

This symbol indicates an advisory instruction to follow during installation.

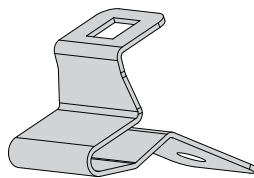
- The initial installation quality determines the level of performance, durability, and trouble occurrence in the future. Make sure to read the following instructions carefully beforehand for proper installation.
- Failure to follow these instructions not only prevents the product from working properly but may also lead to trouble with the vehicle. Do NOT attempt installation other than instructed in this manual.
- Mitsubishi Motors Corporation is not responsible for any defects or difficulties caused by or resulting from the failure to follow given instructions.
- We recommend you to have the installation performed at an authorized Mitsubishi Motors dealer.

Parts Supplied:

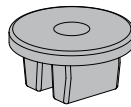
Item	Qty	Description	Item	Qty	Description
A	1	Hood Protector	G	7	Small Screw
B	5	Push On Clip	H	2	Large Washer
C	2	Fixed Metal Clip	I	7	Small Washer
D	2	Fastener	J	7	Large Abrasion Resistant Tape
E	7	Nut Insert	K	5	Small Abrasion Resistant Tape
F	2	Self Tapping Screw	L	1	Alcohol Wipe



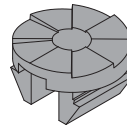
B



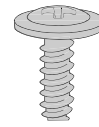
C



D



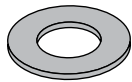
E



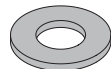
F



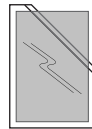
G



H



I



J

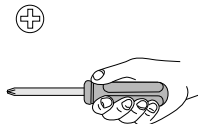


K

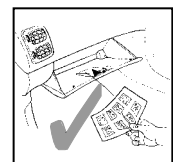
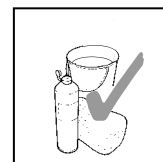
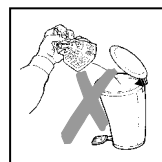
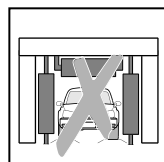
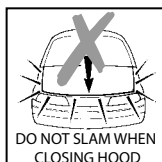


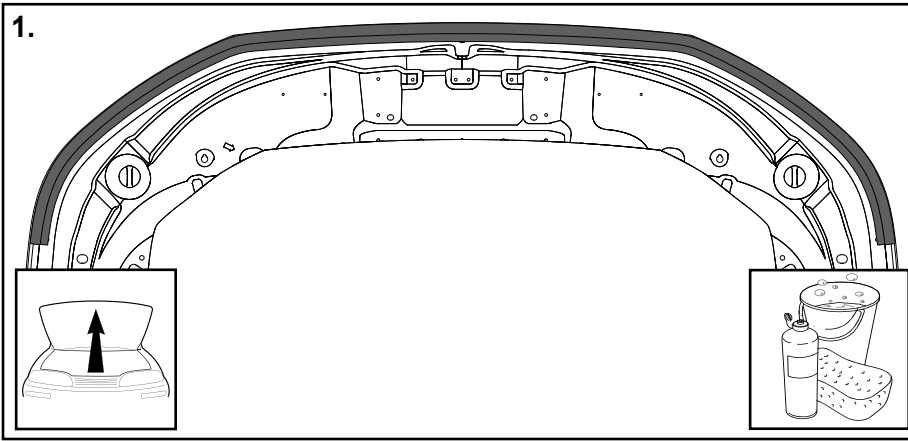
L

Tools Required:

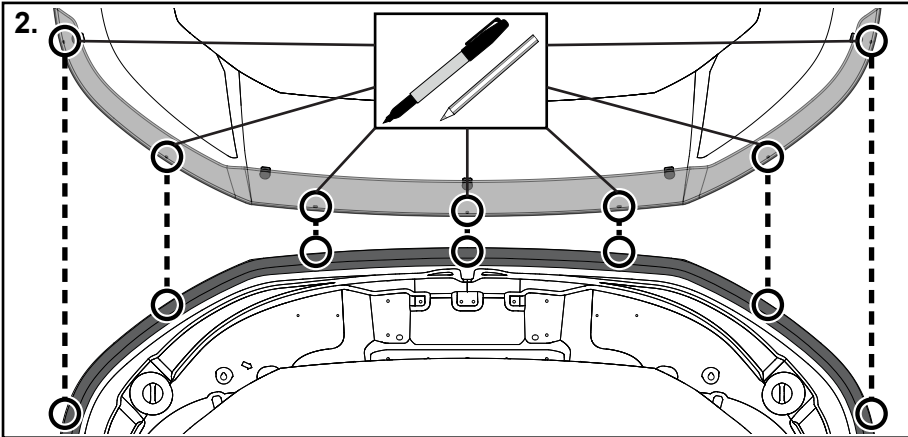


General Care:

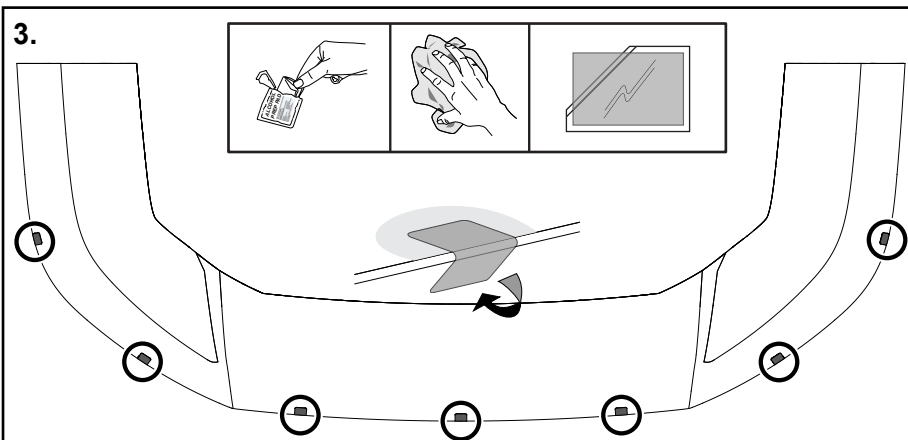




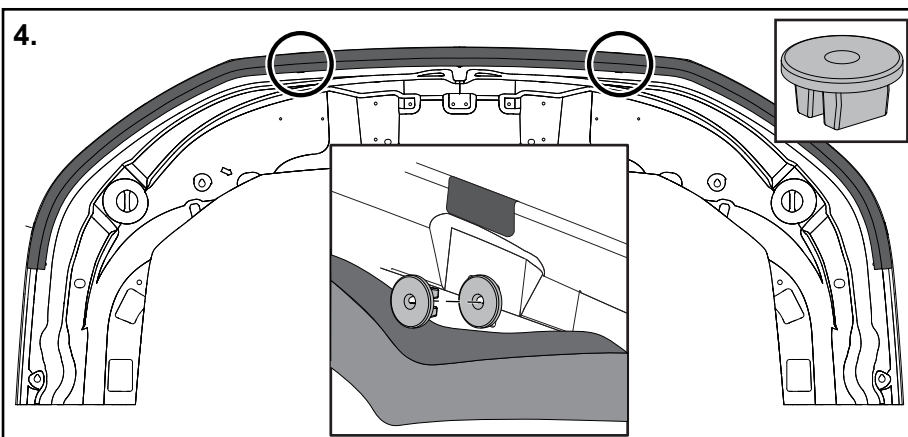
- Open the hood and thoroughly clean and dry the top and underside of the hood and surrounding areas.



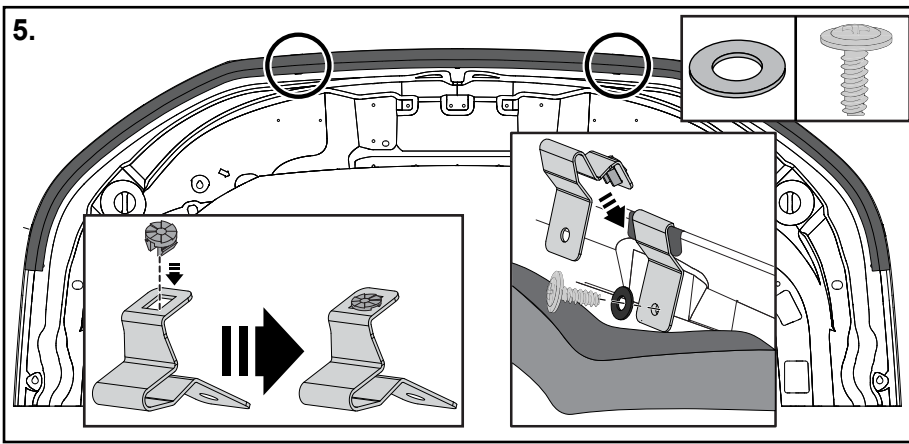
- Trial fit the Hood Protector centrally onto the hood.
- With a Non-Permanent Marker or Pencil mark the two slots and five holes which correspond to the hood.
- Remove the hood protector.



- Clean the previously marked positions with the alcohol wipe provided. Allow to dry.
- At the seven locations adhere the seven Large Abrasion Resistant tapes over the hood lip.
- Apply the tape so that approximately two thirds of each strip is on the front surface of the hood and one third folds over the underside edge.

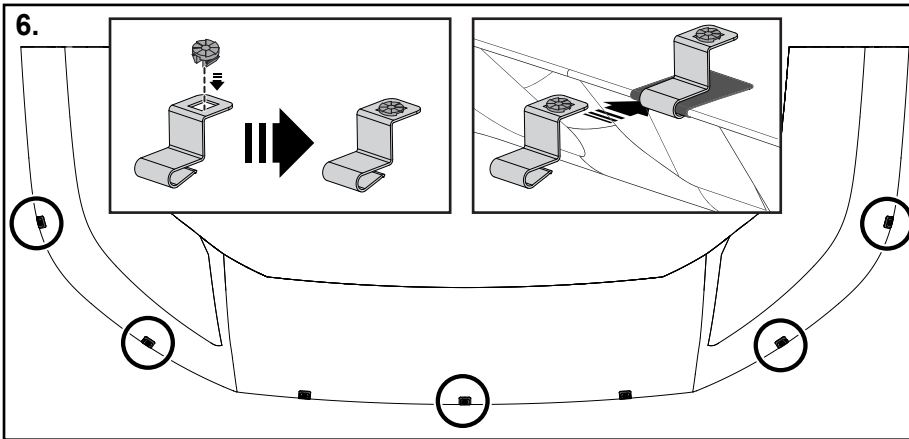


- At the two indicated locations, pull the rubber trim and fit the two Fasteners into the square holes of the hood.



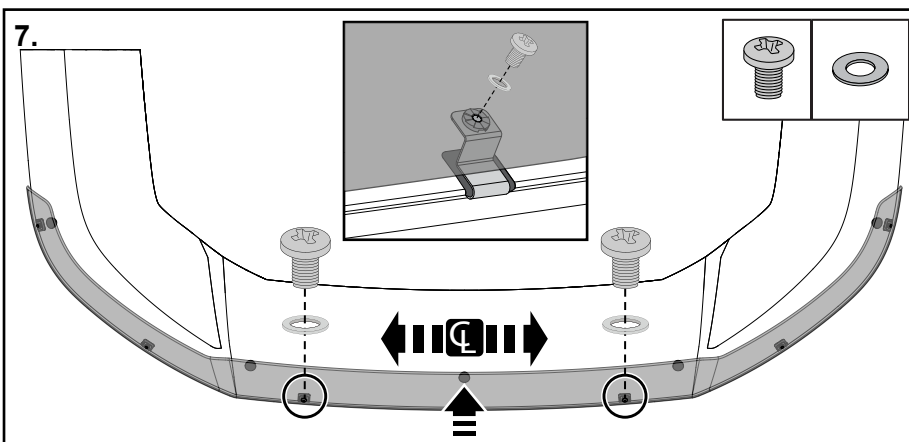
- Fit the Nut Inserts into the square holes of the Fixed Metal Clips.
- At the two Fixed Metal Clip locations, pull the rubber trim and install the Fixed Metal Clip over the Abrasion Resistant Tapes.
- Secure the Fixed Metal Clips using Large Washer and Self Tapping Screw.

IMPORTANT: Ensure the clips rest over the abrasive resistant tape and do not come in contact with hood paint work. Failure to do this may result in permanent damage.

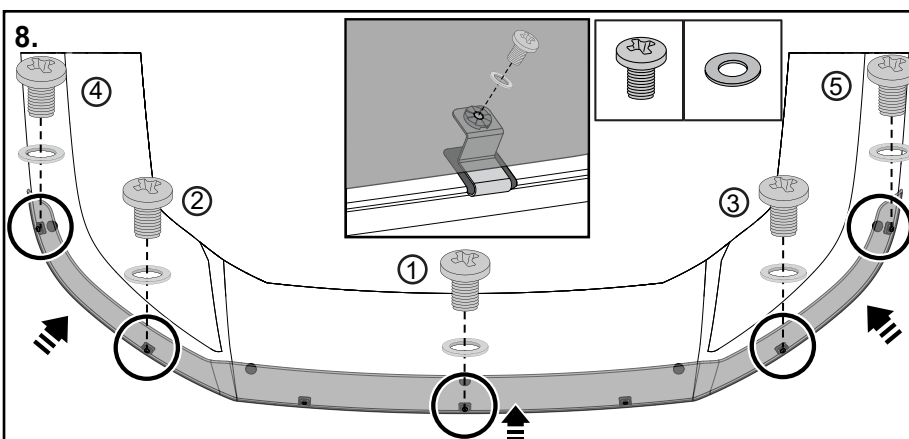


- Fit the Nut Inserts into the square holes of the Push On Clips.
- At the previously marked five locations, install the Push On Clips over the Abrasion Resistant Tapes.

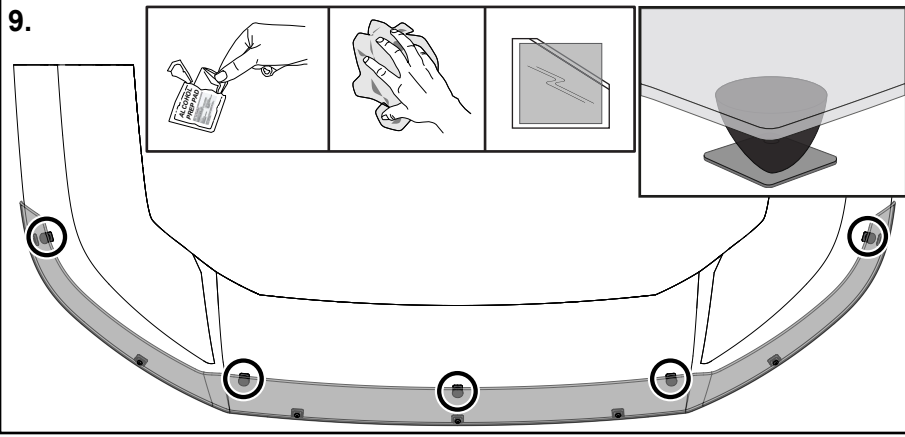
IMPORTANT: Ensure the clips rest over the abrasive resistant tape and do not come in contact with hood paint work. Failure to do this may result in permanent damage.



- Centralise and fasten the Hood Protector to both Fixed Metal Clips with two of the Small Screws and Small Washers to the hood.



- Fasten the Hood Protector to all five Push On Clips with five of the Small Screws and Small Washers in the order as indicated.



- Clean underneath of each bumpon with the alcohol wipe provided. Allow to dry.
- Adhere a Small Abrasion Resistant Tape directly underneath each Bumpon.