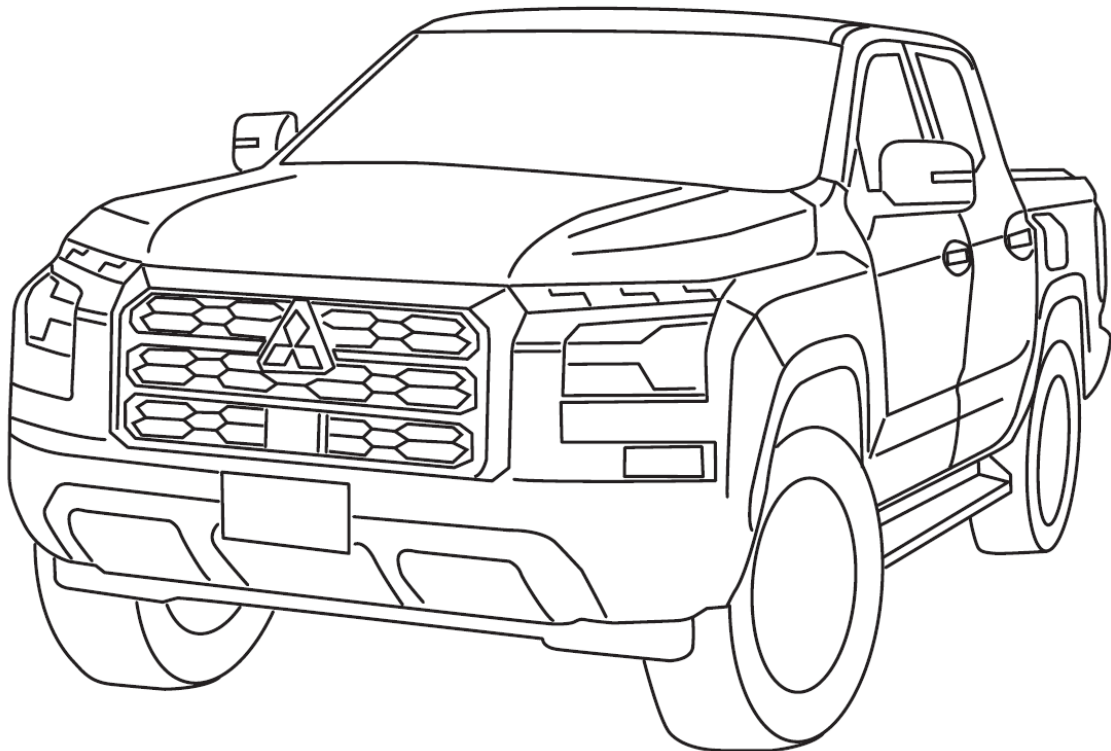









Under Ride Protection Installation and Owner's manual

LA0 Parts No. MZ350773

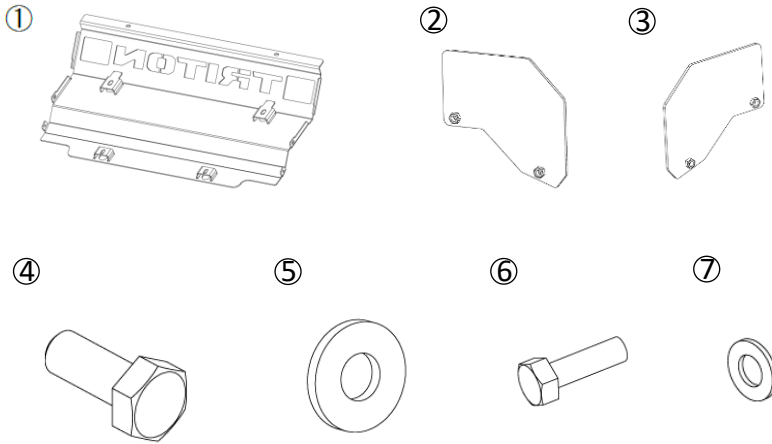
- Thank you for purchasing the Mitsubishi Motors genuine accessory.
- The initial installation quality determines the level of performance, durability and trouble occurrence in the future.
- Make sure to read this manual carefully before installation of the product, and install it correctly after understanding an overall operation flow. Do not attempt installation other than instructed in this manual. We shall not be responsible for any failures occurred by not following the instructions in this manual.
- We recommend you to have the installation performed at an authorized Mitsubishi Motors dealer to ensure the reliability.



								
MZ350773	✓	✗	✓	✓	✓	✓	✓	N/A

Component parts

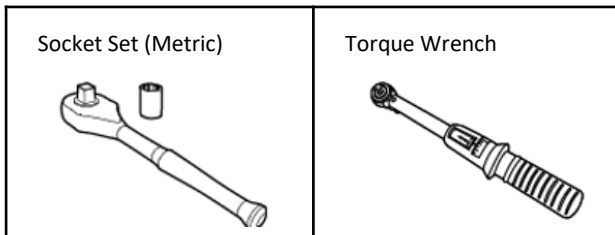
(Make sure that all of the following component parts are included in the kit before starting the installation process.)



	Part name	QTY
①	Main Plate Assy	1
②	Air Guide LH	1
③	Air Guide RH	1
④	Bolt Hex HD M6x20	4
⑤	Flat Washer M6	4
⑥	Bolt Hex HD M10x25	2
⑦	Flat Washer M10	2

Tools

(Make the following tools ready for use.)



Symbol meaning

 **Warning**

This symbol indicates a particularly important safety instruction. Read and follow it carefully for safety. Failure to heed the caution may result in death or serious human injuries.

 **Caution**

This symbol indicates a particularly important safety instruction. Read and follow it carefully for safety. Failure to heed the caution may result in human injuries or accidents.

 **Note**

This symbol indicates an advisory instruction to follow during installation and handling.

Precautions for installation

Warning



Perform the installation indoors that is large enough without worrying about the rain and wind. Make sure the work area is well ventilated and take special care for the fullness of exhaust gas.

- Do not install to the vehicles except for the applicable types.
- Do not install with remodeling. Failure to heed this caution may result in serious accidents.

Caution



Work carefully using a protective cover to prevent the vehicle from scratches and dirt.



Wipe off the dirt of the product using a sponge with a neutral detergent. Do not use organic solvents such as thinner, acids and alkalis.



When removing and reinstalling the vehicle body parts, refer to the vehicle's workshop manual.



When installing the parts and reinstalling the removed vehicle body parts, be careful not to let vehicle harnesses be caught and pinched between parts.



Be careful not to make a mistake when reinstalling the clips, screws, etc. removed from the vehicle.



When jacking up the vehicle, make sure to use wheel chocks and work on a flat place.



Remove dirt and oil on the surface where the parts are installed with a tape or double-sided tape completely.



Tighten securely parts which the tightening torque is indicated according to the specified torque.



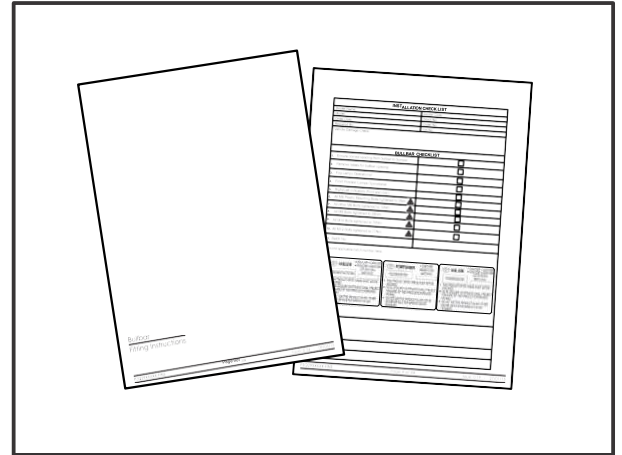
When removing connectors, hold the connector bodies and unlock without pulling on harnesses. Do not destroy the connector lock by prying with a screw driver. Keep the harnesses away



Do not pull on wiring harnesses strongly.

– Step 1

- Open the carton and identify all components from the parts supplied sheet.



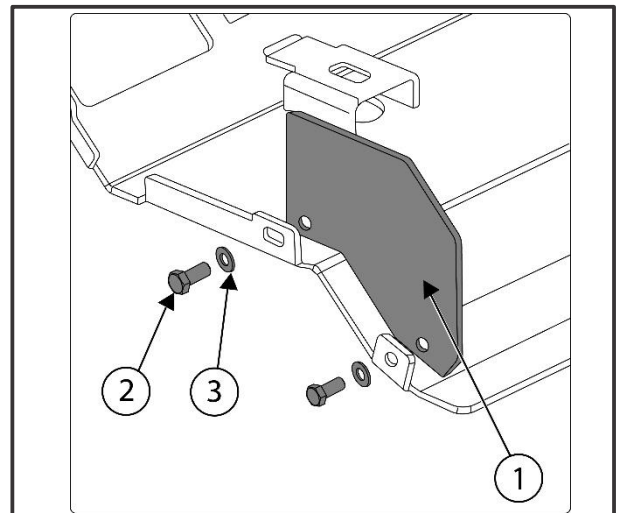
– Step 2

- Assemble LH Air Guide **(1)** using 2 x M6x20 Bolts **(2)** and M6 washer **(3)**.
- Repeat for RH Air Guide.

Torque M6 fasteners to 9Nm +/-2Nm

Tools Required: 

Ratchet
Torque Wrench
10mm Socket

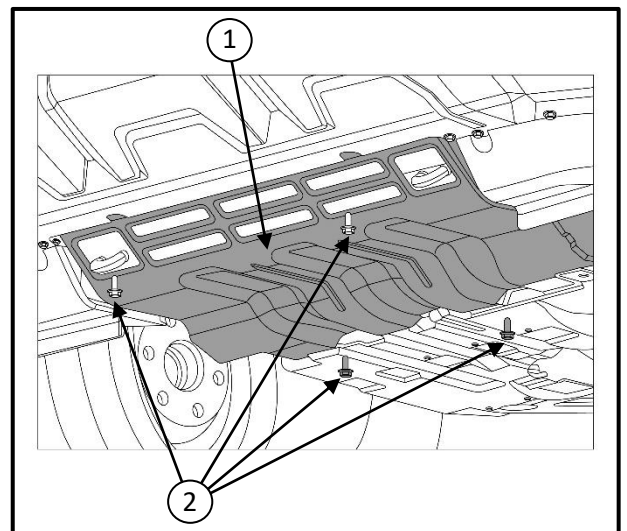


– Step 3

- Remove OE Skid Plate **(1)**, retain 4 x OE fasteners **(2)** as these will be reused to fasten under ride protection.

Tools Required: 

Ratchet
12mm Socket



– Step 4

- Assemble Under Ride Protection **(1)** using 4 x OE fasteners **(2)** and 2 x M10 x 25 Bolts **(3)** and M10 Flat washers **(4)** provided.

Torque M8 fasteners to 10Nm - 17Nm
Torque M10 fasteners to 48Nm - 50Nm

Tools Required: 

Ratchet
Torque Wrench
12mm Socket
14mm Socket

